

Plastic Pallets



AMERICAN
Pallet and Packaging
COMPANY, LLC

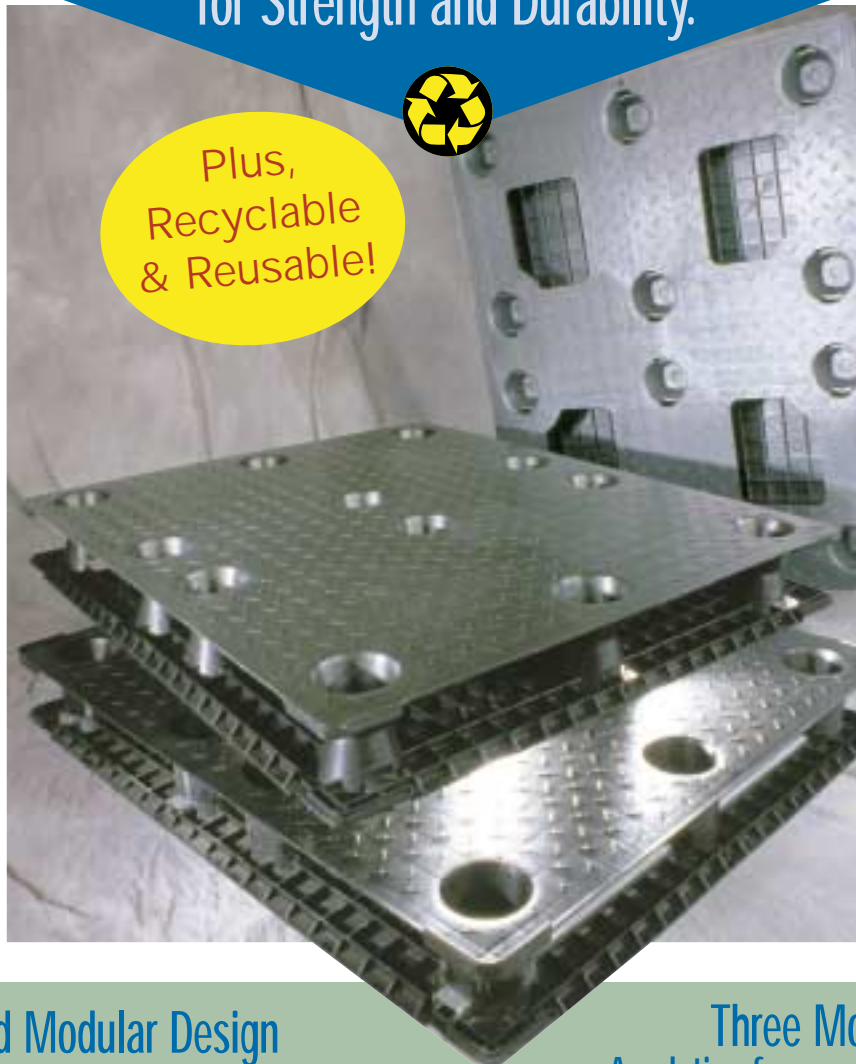
Lightweight, Low-cost and Exceed Industry Standards
for Strength and Durability.

Injection-molded Polypropylene Blend

- Provides durability for a long pallet life cycle.
- A recycled material that is again recyclable. The Polypropylene blend is accepted by major plastic recyclers lowering disposal costs.
- Resists breakage—ideal for cooler and freezer conditions.

Lightweight

- One person can easily handle empty pallets. Only **29 lbs.** Add support struts it is still only **39 lbs.**



Proven* Rackable Strength

- Racks loads up to **2650 lbs.*** with steel struts installed.
- Dynamic loads exceed **3000 lbs.***
- Static load up to **30,000+ lbs.***



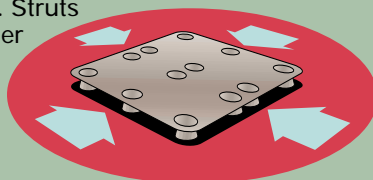
Sanitary and Safe

- Non-absorbent washable materials. Easily cleaned for sanitary conditions.
- Resistant to most caustic chemicals.
- Anti-skid surface molded on deck and bottom. Limits slippage of loads and sliding when using pallet jacks.

Patented Modular Design

The unique inverted cone design is strong and provides a simple snap together assembly.

- Dimensions : 48" x 40" x 5.5"
- Rack with either the 40" or 48" widths
- Rounded corners cause less damage to other products and facilities.
- Stackable – static load tested to 30,000lbs.
- Optional **steel support struts** are required when used with an open rack system. Struts add edge strength for wider spaced rack bars.
- 4-way entry with forklift or pallet jack



Three Models A solution for every application!

EXPORT DUTY - Same great design features of the base models. Yet, is cost effective enough for the limited usage of overseas transport.



Designed for the rigors that closed system pallets demand our base models are the right choice to lower pallet cost and maintenance. All are compatible for installation of **support struts**.

LIGHT DUTY - This model is perfect for transport of low density or lightweight products.

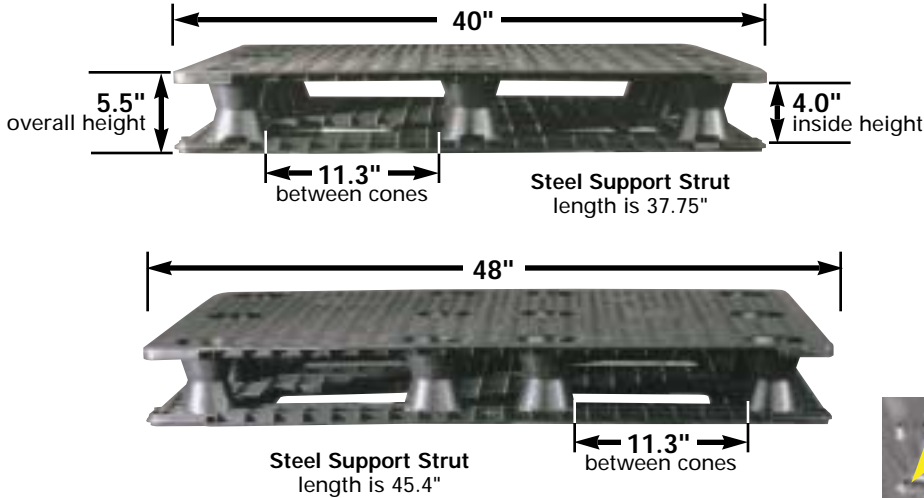
HEAVY DUTY - A unit built for heavy weight, high density products and for a high cycle frequency.

* As tested by Michigan State University School of Packaging

American Pallet and Packaging Plastic Pallet Specifications

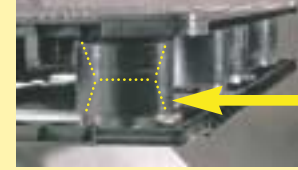
Dimensions:

48" x 40" deck area
5.5" outside height
4.0" inside height



Accessories

Protective Sleeve - This sleeve helps protect the pallet's cone pedestal from forklift tine damage thus extending the life of the pallet. They are placed on all 12 cones.



The cones are safely hidden inside the protective sleeve.

Steel Support Struts - Reduces the pallet's deflection when in racking situations and adds edge strength for wider spaced rack bars.



Easy Snap Together Assembly.

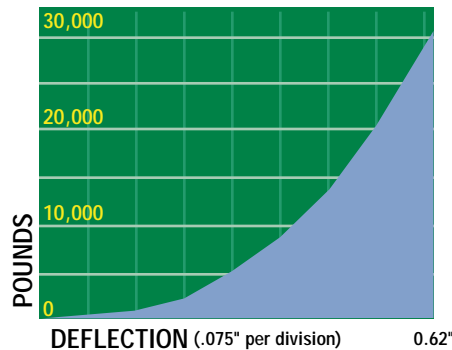
A rubber mallet is the only tool needed. Ship larger quantity unassembled, then assemble on location.

Tested and Exceeds ASTM and GMA Standards

Tests by Michigan State University School of Packaging show that our plastic pallets exceed the specifications set for the GMA standard.

- racking load of **2650 lbs.**
- dynamic load of **3000 lbs**
- static load of **30,000+ lbs**

30,000 lbs without failure and only a 0.62" deflection.



Color Availability

Black is the standard color. FDA and USDA approved blue and green are available, other colors are available as special order. We can custom match any color desired.

Custom Logo Imprint

Have your company logo imprinted on the pallet's deck. Helps assure pallets return and build brand identification.

Easy to Ship

A 53' truck will fit 550 assembled pallets and 1500 unassembled. Shipping is FOB Wheaton, MN



AMERICAN
Pallet and Packaging

COMPANY, LLC

For more information contact us at:

3402 So. 15th Street South
Fargo, ND 58104
1-877-725-5388
701-476-3457 • fax 701-280-2839
www.ampallet.com

Dave Johnson - djohnson@ampallet.com
Jim McLain - jmclain@ampallet.com
Bill Feist - bfeist@ampallet.com